

More pumping power, smaller penetration.

It used to be that in order to get the pumping speed of a 48" cryopump, you had to cut a 48" mounting hole in the vacuum chamber. On smaller chambers, the external mounting of the pump on a large flange was often difficult and could present structural problems.

PHPK offers an improved configuration, a high speed cryopump that requires only a 10" penetration for the system flange. The entire cryopanel assembly installs inside the chamber, and it is connected through the small flange opening to the externally mounted refrigeration and drive unit.

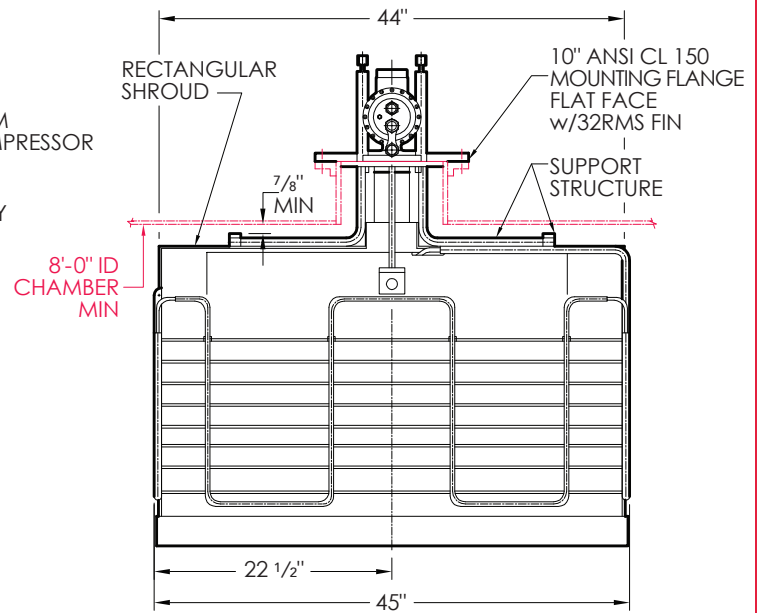
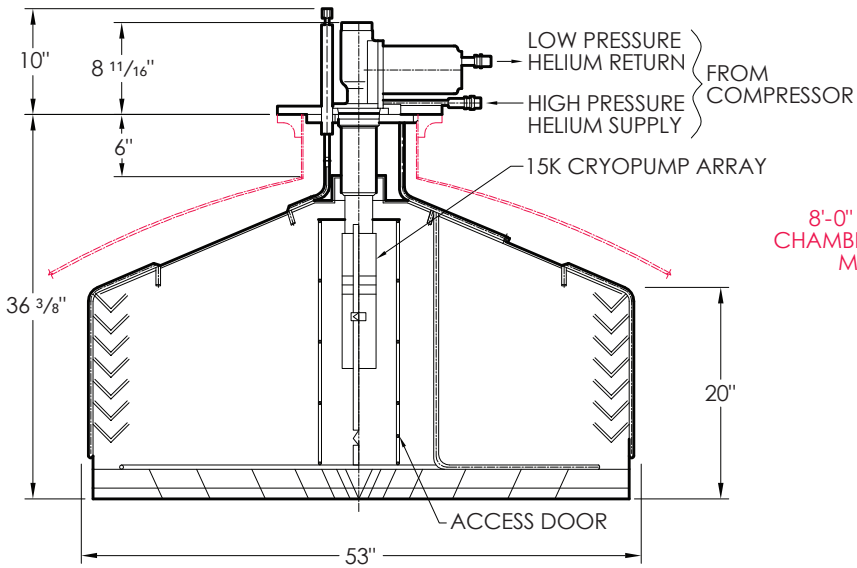
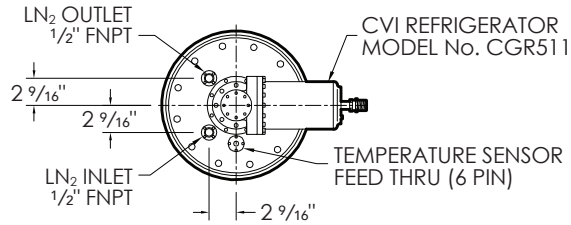
The PHPK two-piece internal design is not only easier to install, but can also deliver up to 30% higher pumping speeds than standard external models. Typical performance specifications are shown below.

Specifications

Type	Pumping Speed	Capacity at 1×10^{-6} Torr
N ₂	75,00 Liters/sec.	
H ₂	33,000 Liters/sec.	30 std Liters
H ₂ O	750,000 Liters/sec.	
Xe	35,000 Liters/sec	



N ₂ Consumption	Cooldown Time
(GPH) 7-12	255 min to 20K



Model TM1200i Internal Cryopump vertically mounted on 8 ft. min. dia. cylindrical section

TM1200i