

Specifications

Type	Pumping Speed	Capacity at 1×10^{-6} Torr	Throughput at 20K
N ₂	4,000 Liters/sec.		
H ₂	6,500 Liters/sec.	12 std Liters	
H ₂ O	9,500 Liters/sec.		
Ar	3,500 Liters/sec.	2,000 std Liters	18 Torr Liters/sec. 1,420 scc/min.

Weight	Crossover	Cooldown Time
90 lbs. (40.2 kg)	500 Torr Liters	60 min to 20K (with CBST6.0 Compressor)
Overpressure Safety Relief		Burst Disc Standard
Operating Orientation		Any
Purge Tube		Optional
Instrumentation		Silicon Diode Standard
Bakeout Temperature		100°C max. For higher temperatures please consult PHPK

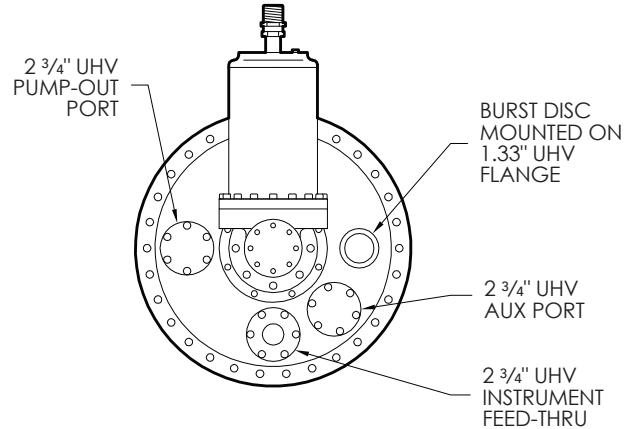
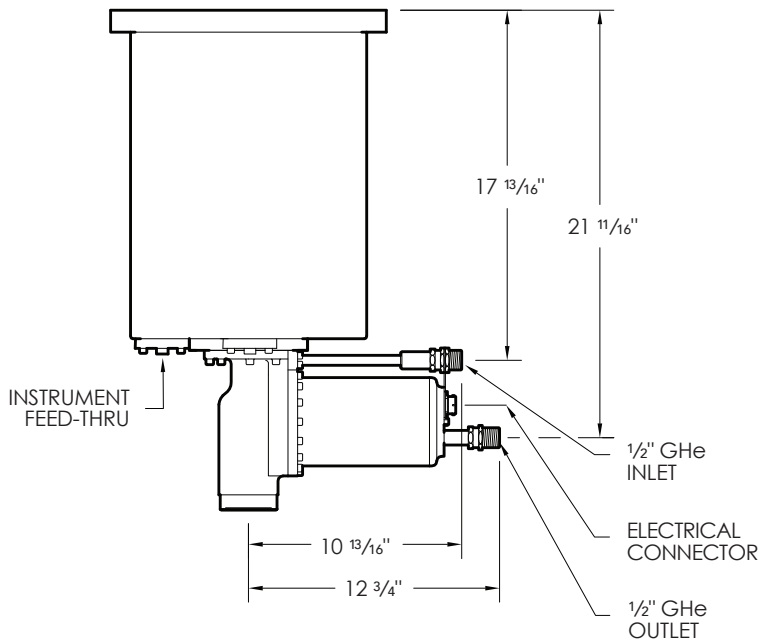
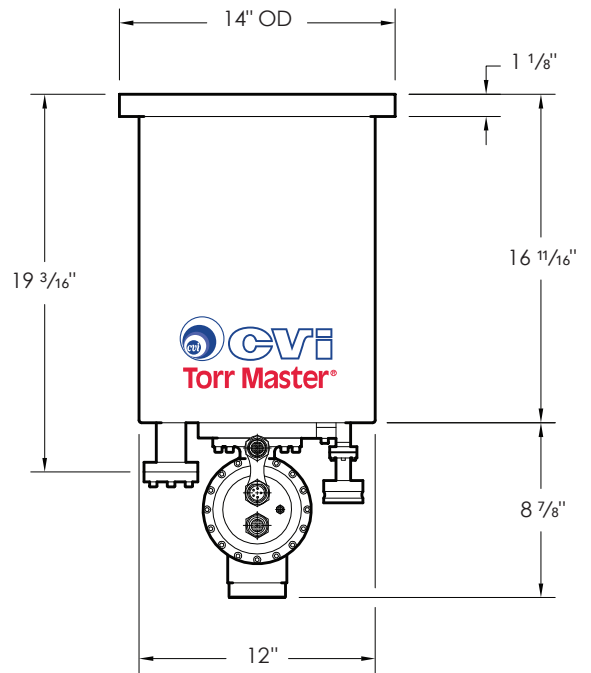
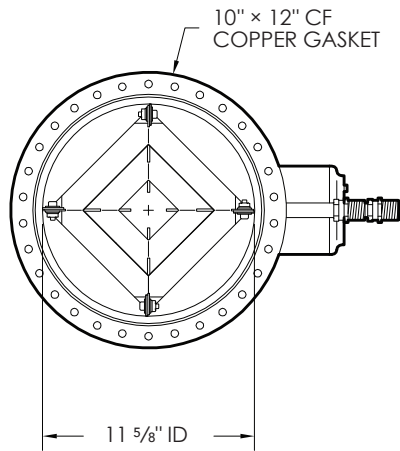
(Performance data based on 60-HZ operation)



Interfaces

System Flange	OD	ID	BC	Bolt Holes	O-Ring
UHV	14"	11.75"	12.81"	30 ea 0.39" DIA	Metal Gasket (supplied)

Roughing Flange	2 3/4" UHV
Accessory Flange	2 3/4" UHV
Purge Tube	2 3/4" UHV Flanged tube for optional mounting
Pressure Relief	Rupture disc mounted on 1.33" Mini UHV
Helium Connections	1/2" Aeroquip fittings
Electrical	Diode, 6-pin twist lock connector Refrigerator drive motor, 5-pin twist lock connector



10" **TM250** (UHV)