

Specifications

Type	Pumping Speed	Capacity at 5×10^{-6} Torr	Throughput at 20K
N ₂	7,100 Liters/sec.		
H ₂	8,300 Liters/sec.	10 std Liters	
H ₂ O	24,000 Liters/sec.		
Ar	6,400 Liters/sec.	2,000 std Liters	10 Torr Liters/sec. 790 scc/min.

Weight 160 lbs. (72.7 kg)	Crossover 580 Torr Liters	Cooldown Time 150 min to 20K with CBST6.0 Compressor
Operating Orientation	Any	
Purge Tube	Integral	
Instrumentation	Silicon diode standard Hydrogen vapor bulb thermometer optional	

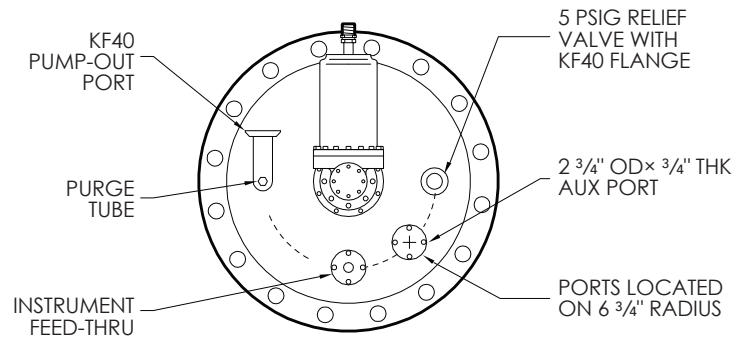
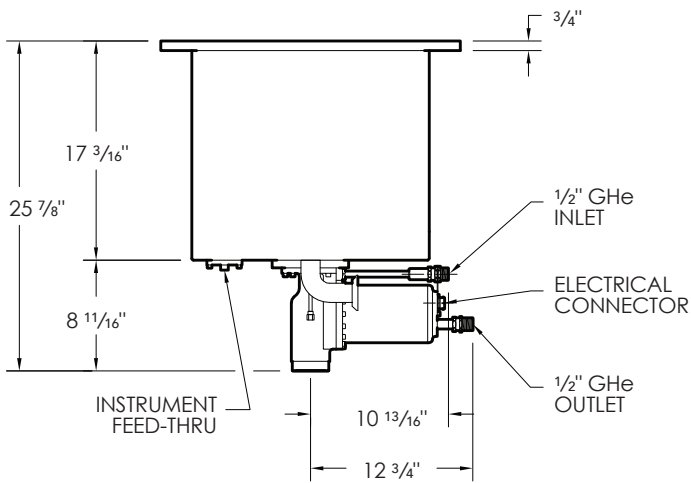
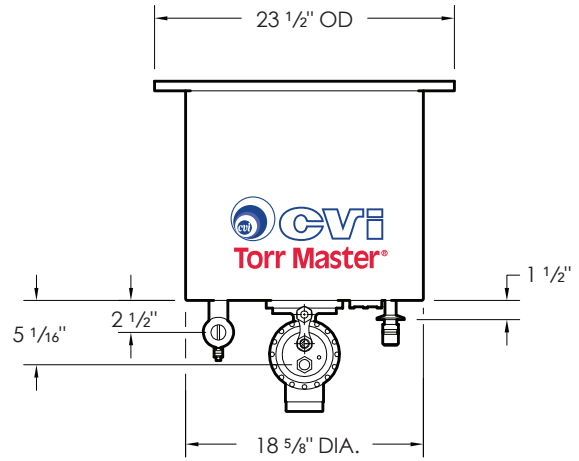
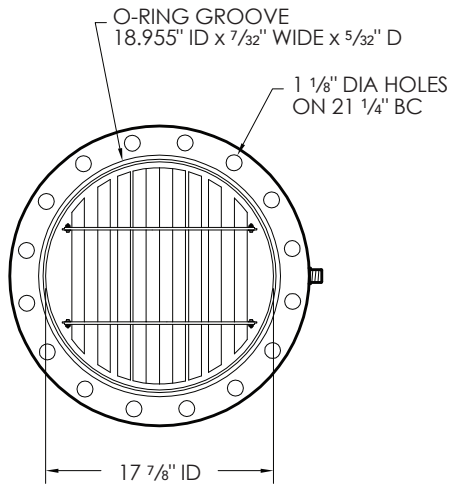
(Performance data based on 60-HZ operation)



Interfaces

System Flange	OD	ID	BC	Bolt Holes	O-Ring
CVC	23.5"	17.875"	21.25"	16 ea 1.125" DIA	19" ID x 0.210" thick Viton (supplied)
ISO (MF500)	21.65"	17.875"			centering ring

Roughing Flange	KF40
Accessory Flange	2 3/4" flange, 3/8" thick
Purge Tube	1/2" Ultra-Seal fitting, Viton O-ring Includes blank and 0.33" bored tailpieces
Pressure Relief	5 psig poppet valve with ISO KF40 flange
Helium Connections	1/2" Aeroquip fittings
Electrical	Diode, 6-pin twist lock connector Refrigerator drive motor, 5-pin twist lock connector



18" **TM450**